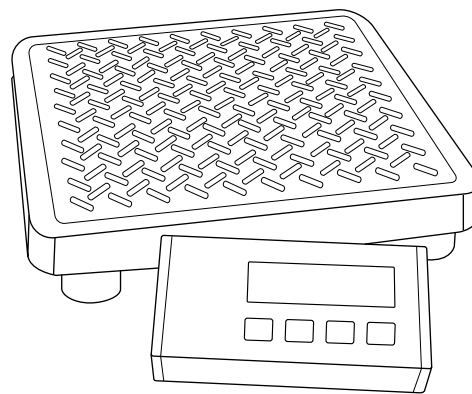


# PD750™

## HEAVY DUTY SCALE



ENGLISH

Thank you for purchasing the My Weigh PD-750 heavy duty shipping scale. This scale is designed to provide years of accurate weighing. Please read this entire manual before use. If you have any questions about your scale or have troubleshooting concerns, please visit our **website at [www.MyWeigh.com](http://www.MyWeigh.com)**.

### SPECIFICATIONS

<b>Model</b>	<b>PD750</b>
<b>Capacity</b>	300kg/750lb/54st
<b>Accuracy</b>	0.1kg/0.2lb

### POWER SUPPLY

The PD-750 Series scale was designed to run with 6.0V / 100 mA AC power (ac adapter included) or optional 6x AA batteries. The AC adaptor plugs into the socket on the rear of the scales weighing indicator. If you want to use batteries, please install them in the battery compartment on the underside of the base of the scale.

### Battery Installation


For battery installation, turn over the scale, you'll see the battery compartment on the underside of the base of the scale, lift and open (see the enclosed drawing Fig1) the battery cover, remove and/or install the batteries. Be sure that the batteries are installed correctly following the polarity indicators in the battery compartment. Reinstall the battery cover.

### OPERATION INSTRUCTIONS

Only operate the scale on a flat, level surface that is stable and durable enough to support the scale and the items being placed on the scale. Either place the remote display box together with the scale on its surface or mount the display box on a wall at a suitable height with the included wall mounting kit.

### Weighing Procedures

Press the  key to turn on the scale, the display will show "750.00lb". The display will then show "0.00". The scale is now ready for use. To begin weighing, follow these steps:

1. Press and release the  key, the scale is now set at its zero point. If you press and hold the key, then the scale will be turned off.
2. Press the "M" key to change the weighing unit between "lb" and "kg".
3. Press the "T" key to TARE or Zero the scale
4. Press the "D" key to transmit the data through the USB port

## Display Messages

**750.00:** the scales maximum capacity is 750.00lbs, the scale is attempting to locate the proper zero position for accurate weighing.

**0 -----:** the zero is too high

**A.OFF.x:** the indicator of auto-off time

**CAL-Er:** an error of calibration

**CAL-0:** the indicator mark of calibration zero

**CAL-F:** the indicator mark of calibration full capacity

**A.ch.Er:** an A/D converter path error

**EEP.Er:** writing & reading memory chip error


**----- :** overload - weight exceeds maximum capacity

**\_\_\_\_\_ :** weight is less than minimum capacity

**Lo:** low voltage

**SCI.x:** the select indicator of transmission protocol

## Programming the Auto-off Time

1. Press down the "**D**" key until the indicator displays "A.OFF.X" (X=0.1.2.3.4.5.6.7.8.9 minutes), the display value "X" is the auto-off time, when the "X" value is "0", the auto-off function is disabled. NOTE: The default factory setting is X=0
2. To change the auto-off time press the "**M**" or "**D**" key; the X value will increase or decrease by 1, press the "**T**" key to confirm the auto-off time setting.
3. To exit the auto-off timer programming, press the  key, the display will then reset.

## Connecting to a PC computer

1. Insert the installation CD provided and follow the on screen instructions.
2. Connect the scale indicator to the PC using the USB cable.
3. Open the software by clicking PD750 icon and the display will be shown on screen.

## CALIBRATION

---

**Calibration is only for ADVANCED USERS or scale technicians and should only be performed if absolutely necessary.**

There are two calibration methods available: one is using standard professional calibration weights, the other is the selection of different geographic location codes (gravity mode). The following is detail:

1. Press down the **"T"** key until the indicator displays **"GE.Uxx"**, **"GE.oxx"** or **"GE. FAC"**;
  - a. **"GE.Uxx"** means: USA geographic location code **"xx"** is selected;
  - b. **"GE. FAC"** means: Factory geographic location code is selected;
  - c. **"GE.oxx"** means: Other(except for USA and Factory) geographic location code **"xx"** is selected;
2. Press the **"M"** or **"D"** key to change the geographic location code; please refer the geographic location code table and maps at the end of the manual;
3. After selecting the appropriate geographic location code, press the **"T"** key, the scale will store your selection and display **"CAL-0"** or **"Go.on?"**(? is flashed);

If **"CAL-0"** is displayed, that means the scale must be calibrated once more by using standard weights and you should proceed to the next step;

If **"Go.on?"** is displayed and the  key is pressed, the scale will use the selected geographic location code and reset automatically to resume normal weighing mode;

If **"Go.on?"** is displayed and the **"T"** key is pressed, the scale will display **"CAL-0"** and you should proceed to the next calibration step.

4. Remove all weights from the scale platform, press the **"T"** key, the **"0"** in **"CAL-0"** will flash
5. After the reading (0.00) becomes stable, the scale will display **"CAL-F"**; place the correct standard weight(s) on the platform (300kg) press the **"T"** key, the **"F"** in **"CAL-F"** will flash.
6. After the readings are stable, the indicator will display **"CAL-0"**; remove the weight(s) from the platform, press the **"T"** key; the **"0"** in **"CAL-0"** will flash, and then the display will reset after 2-3 seconds

Calibration is now complete.

## GRAVITY MODE

---

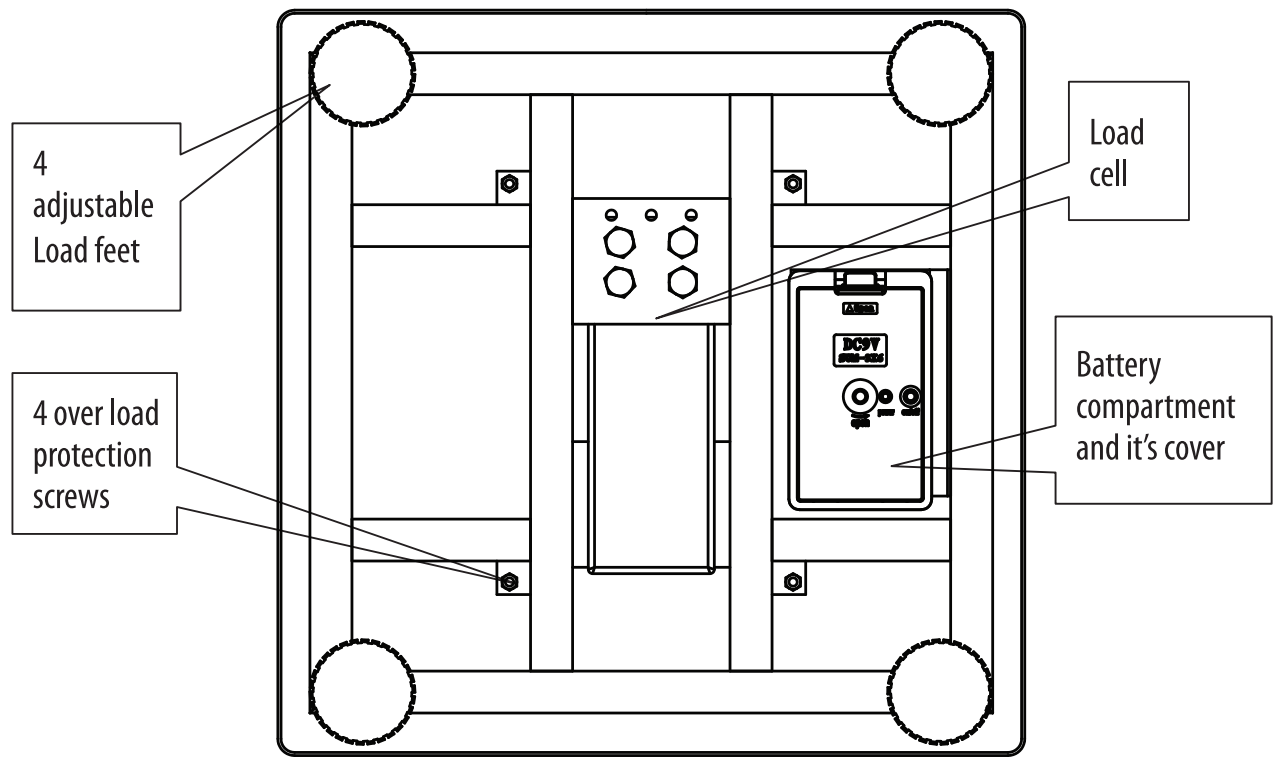
The Gravity Mode feature provides a means of adjusting the scale's internal calibration factors to compensate for variations in acceleration due to gravity at different geographic locations. These differences can cause a given mass to indicate a slightly different weight at an end-users (local) site than it did at the Calibration (CAL) site.

The scale maintains two gravity setting values: one is local site gravity value; the other is calibration site gravity value. The scale will use the relationship between calibration and local gravity for its weight calculations.

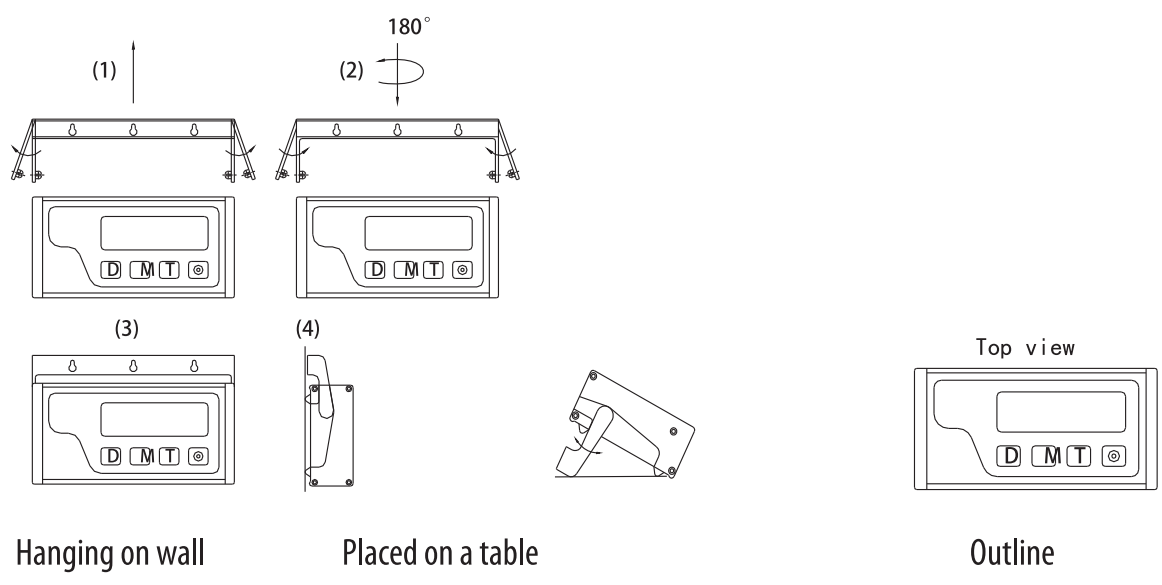
We have compiled a list of local gravity values for some areas of the world. You only need select the index number of them according to the above step1 to step3. The latitude and altitude of your location both effect gravity and the calibration of your scale. It is important to select the proper code. If your location is not listed, select closest one. This kind of adjustment needs no calibration weights.

However, whenever possible, we **strongly** recommend that you calibrate the scale by using standard professional calibration weights.

**Fig1: Bottom view of the scale**



**Fig 2: Indicator's outline and placement positioning**



SPECIFICATIONS	
<b>Model</b>	<b>PD750</b>
<b>Capacity</b>	340kg/750lb
<b>Accuracy</b>	0.1kg/0.2lb
<b>Units</b>	lb, kg, st
<b>Platform dimension</b>	360x 360 x 50mm
<b>Display dimension</b>	165 x 82.5mm
<b>Scale Weight</b>	3.4kg
<b>Operating temperature</b>	Optimum 10-40°C (50-104°F)
<b>Power Source</b>	6.0V / 100 mA AC Power adaptor / 6x AA Batteries



[www.myweigh.com](http://www.myweigh.com)